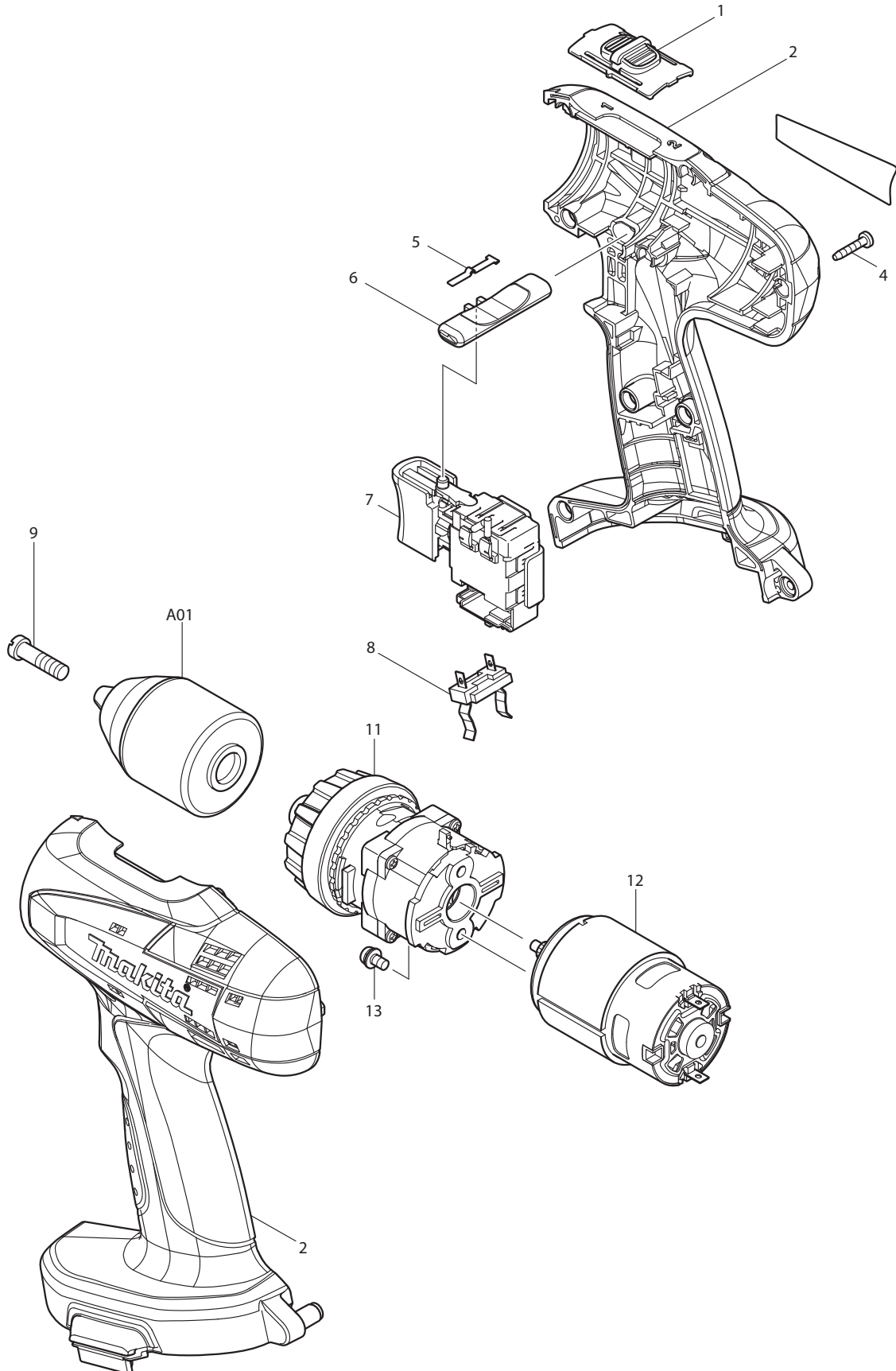




11 - 2009  
6391DWPE  
18V - 1/2" DRIVER DRILL KIT



Item No	Type	Ref	Part No	Description	Qty	Unit
1			125310-5	SPEED CHANGE LEVER ASSY	1	PC.
		INC.	231433-0	COMPRESSION SPRING 4	2	PC.
2	1		188513-2	HOUSING SET	1	SET
	2		187155-9	HOUSING SET	1	SET
4			266130-9	TAPPING SCREW BIND PT 3X16	9	PC.
5			232182-2	LEAF SPRING	1	PC.
6			450584-2	F/R CHANGE LEVER	1	PC.
7	1		650602-8	SWITCH TG563FSB-3 (White label > Yellow label)	1	PC.
	2		650669-6	SWITCH TG563FSB-3	1	PC.
8	1		643924-3	BATTERY HOLDER	1	PC.
	2		643918-8	BATTERY HOLDER	1	PC.
9			251472-4	- FLAT HEAD SCREW M6X26	1	PC.
11			125483-4	GEAR ASSEMBLY	1	PC.
12			629834-8	DC MOTOR	1	PC.
13			911108-4	PAN HEAD SCREW M4X8	2	PC.

### **ACCESSORIES**

- See catalogue or visit [www.makita.ca](http://www.makita.ca) for more accessories information -

A01			763193-1	1/2" KEYLESS DRILL CHUCK	1	PC.
A02			DC1804	CHARGER DC1804	1	PC.
			DC1822	12V AUTOMOTIVE CHARGER DC1822	1	PC.
A03			194227-3	18V NI-CAD BATTERY PA18, 2/PK	1	PK
A03			638398-1	18V NI-CAD BATTERY PA18-BULK (NOT FOR SALE)	1	PC.
A04			414938-7	BATTERY COVER	1	PC.
A05			784636-0	+ - BIT 2-65	1	PC.
A06			824853-1	PLASTIC CARRYING CASE	1	PC.
		INC.	419360-3	HANDLE (PLASTIC)	1	PC.
		INC.	163455-1	LATCH (METAL)	2	PC.

### **SERVICE CHANGES**

#### **1. Changes on Main Switch**

Item No.	Description	Type 1	Type 2
7	Switch TG563FSB-3	650602-8	650669-6

Service Note: Use Type 1 switch for repair of the models manufactured before July 2011

See T/I/#92090 for Wiring change